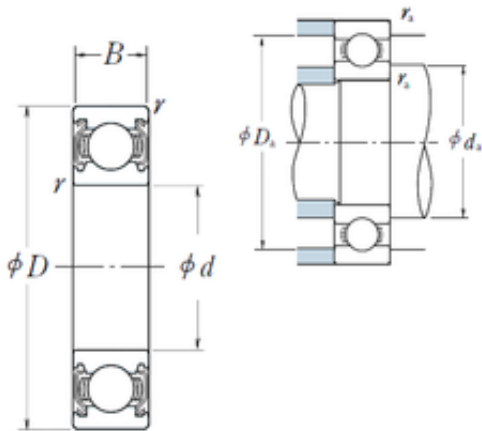




China 6205 Bearing Supplier



6204ZZ Bearing 2D drawings and 3D CAD models

NSK bearings 6204ZZ deep groove ball bearing
6204-2RS nsk bearing supplier

Bearing No. 6204ZZ

Size	20x47x14 mm
Bore Diameter	20 mm
Outer Diameter	47 mm
Width	14 mm
d	20 mm
D	47 mm
B	14 mm
C	14 mm
r min.	1 mm
da min.	25 mm
da max	26,5 mm
Da max.	42 mm
ra max.	1 mm
Weight	0,107 Kg
Basic dynamic load rating (C)	12,8 kN
Basic static load rating (C0)	6,6 kN
(Grease) Lubrication Speed	15 000 r/min
Category	Single Row Ball Bearings
Inventory	0.0
Manufacturer Name	NSK
Minimum Buy Quantity	N/A
Weight / Kilogram	0.05
EAN	0029176014291
Product Group	B00308
Enclosure	2 Metal Shields



China 6205 Bearing Supplier

Precision Class	ABEC 1 ISO P0
Maximum Capacity / Filling Slot	No
Rolling Element	Ball Bearing
Snap Ring	No
Internal Special Features	No
Cage Material	Steel
Internal Clearance	C0-Medium
Inch - Metric	Metric
Long Description	20MM Bore; 47MM Outside Diameter; 14MM Outer Race Diameter; 2 Metal Shields; Ball Bearing; ABEC 1 ISO P0; No Filling Slot; No Snap Ring; No Internal Special Features
Category	Single Row Ball Bearing
UNSPSC	31171504
Harmonized Tariff Code	8482.10.50.68
Noun	Bearing
Keyword String	Ball
Manufacturer URL	http://www.nskamericas.com
Manufacturer Item Number	6204ZZ
Weight / LBS	0.105
Bore	0.787 Inch 20 Millimeter
Outside Diameter	1.85 Inch 47 Millimeter
Outer Race Width	0.551 Inch 14 Millimeter
bore diameter:	20 mm
static load capacity:	6600 N
outside diameter:	47 mm
precision rating:	ABEC 1 (ISO Class Normal)
overall width:	14 mm
finish/coating:	Uncoated



China 6205 Bearing Supplier

bore type:	Round
cage material:	Steel
closure type:	Double Shielded
outer ring width:	14 mm
row type & fill slot:	Single Row Non-Fill Slot
fillet radius:	1 mm
internal clearance:	C0
maximum rpm:	18000 RPM
operating temperature range:	-10 to +110 ° C
series:	62
dynamic load capacity:	12800 N
SRI	4.01
hidYobi	6204ZZ
LangID	1
D_	47
SREX	0.04
B_	14
da min	25
hidTable	ecat_NSRDGB
SRE	4.21
mass	0.107
GRS rpm	15000
ra	1
SRIX	0.02
D_a	42
SRIN	0
C0	6.6
fo	13.1
SREN	0
DE_	41.438
Prod_Type3	DGBB_SR_ZZ
DA_	7.938



China 6205 Bearing Supplier

bomp	0
Z_	8
yobi	6204ZZ
C_conv	12800
ALPHA_	0
SDM_	33.5
r	1
KBRG	6141
SBRG	2
DI_	25.562