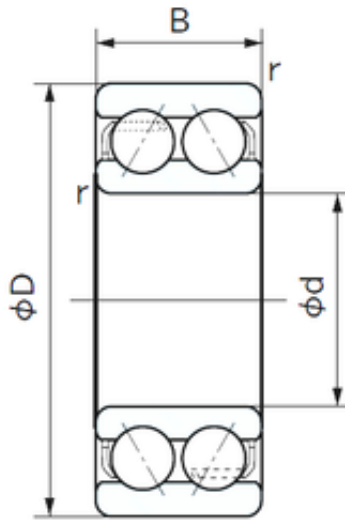




## China 6205 Bearing Supplier



5305 Bearing 2D drawings and 3D CAD models

5305 2RS C3-SKF NTN NSK Timken NACHI  
Koyo Z2V2 Z3V3 Double Row Ball Bearing OEM

Bearing No. 5305

Size	25x62x25.4 mm
Bore Diameter	25 mm
Outer Diameter	62 mm
Width	25.4 mm
d	25 mm
D	62 mm
B	25.4 mm
C	25.4 mm
Angle ( ° )	30 °
r min.	1.1 mm
Weight	0.340 Kg
Basic dynamic load rating (C)	32 kN
Basic static load rating (C0)	21,6 kN
(Grease) Lubrication Speed	7300 r/min
Category	Angular Contact Ball Bearings
Inventory	0.0
Manufacturer Name	NACHI
Minimum Buy Quantity	N/A
Weight / Kilogram	0.341
EAN	4991893604221
Product Group	B00152
Enclosure	Open
Flush Ground	No
Rolling Element	Ball Bearing



## China 6205 Bearing Supplier

Number of Rows of Balls	Double Row
Precision Class	ABEC 1   ISO P0
Maximum Capacity / Filling Slot	No
Snap Ring	No
Cage Material	Steel
Contact Angle	20 Degree
Internal Clearance	C0-Medium
Number of Bearings	1 (Single)
Inch - Metric	Metric
Long Description	25MM Bore; 62MM Outside Diameter; 25.4MM Width; Open; No Flush Ground; Ball Bearing; Double Row of Balls; ABEC 1   ISO P0; No Filling Slot; No Snap Ring
Category	Angular Contact Ball Bearing
UNSPSC	31171531
Harmonized Tariff Code	8482.10.50.28
Noun	Bearing
Keyword String	Angular Contact
Manufacturer URL	<a href="http://www.nachi.com">http://www.nachi.com</a>
Manufacturer Item Number	5305 BNLS
Weight / LBS	0.75
Outside Diameter	2.441 Inch   62 Millimeter
Width	1 Inch   25.4 Millimeter
Bore	0.984 Inch   25 Millimeter
Configuration	Double Row
Bore Type	Cylindrical Bore
Bore Size	25 mm
Fillet Radius/Chamfer	1.1 mm
Dynamic Load Rating	32,000 N
Static Load Rating	21,600 N



## China 6205 Bearing Supplier

Limiting Speed - Grease	7,300 rpm
Limiting Speed - Oil	10,000 rpm
Radial Clearance	0.005 to 0.020 mm
da	32 mm55 mm
Dx	68.5 mm
ra	1 mm
Cy	4.7 mm