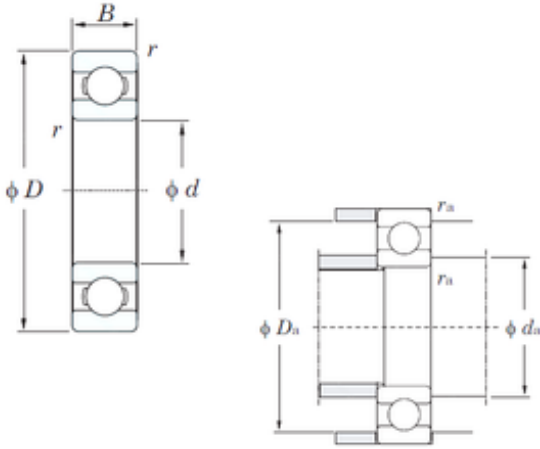




China 6205 Bearing Supplier



6319 Bearing 2D drawings and 3D CAD models

NSK Koyo Japan Brand Deep Groove Ball Bearing 6319 Zz 6319 C3 6319 2RS Bearing

Bearing No. 6319

Size	95x200x45 mm
Bore Diameter	95 mm
Outer Diameter	200 mm
Width	45 mm
d	95 mm
D	200 mm
B	45 mm
C	45 mm
r min.	3 mm
da min.	108 mm
Da max.	187 mm
ra max.	2,5 mm
Weight	5,67 Kg
Basic dynamic load rating (C)	153 kN
Basic static load rating (C0)	119 kN
(Grease) Lubrication Speed	3300 r/min
(Oil) Lubrication Speed	4000 r/min
Category	Single Row Ball Bearings
Inventory	0.0
Manufacturer Name	KOYO
Minimum Buy Quantity	N/A
Weight / Kilogram	6.189
EAN	0605790081019
Product Group	B00308
Enclosure	Open



China 6205 Bearing Supplier

Precision Class	ABEC 1 ISO P0
Maximum Capacity / Filling Slot	No
Rolling Element	Ball Bearing
Snap Ring	No
Internal Special Features	No
Cage Material	Steel
Internal Clearance	C0-Medium
Inch - Metric	Metric
Long Description	95MM Bore; 200MM Outside Diameter; 45MM Outer Race Diameter; Open; Ball Bearing; ABEC 1 ISO P0; No Filling Slot; No Snap Ring; No Internal Special Features
Category	Single Row Ball Bearing
UNSPSC	31171504
Harmonized Tariff Code	8482.10.50.68
Noun	Bearing
Keyword String	Ball
Manufacturer URL	http://www.koyousa.com
Manufacturer Item Number	6319
Weight / LBS	13.633
Outside Diameter	7.874 Inch 200 Millimeter
Bore	3.74 Inch 95 Millimeter
Outer Race Width	1.772 Inch 45 Millimeter
Bearing No.	6319
r(min)	3
Cr	191
C0r	119
Cu	9.45
f0	13.3
Grease lub.	3300



China 6205 Bearing Supplier

Oil lub.	4000
da(min)	108
Da(max)	187
ra(max)	2.5
(Refer.)Mass(kg)	5.67